

Bear Valley Electric Service

P.O. BOX 1547 42020 GARSTIN DR BIG BEAR LAKE, CA. 92315

A Division of Golden State Water Company

Engineering and Trench Inspections: (909) 471-0308

Service Disconnect / Reconnects Scheduling: (800) 808-2837

Website: www.bves.com

REQUIRED INSTALLATION: TEMPORARY OVERHEAD AND UNDERGROUND SERVICE

- | | |
|--|--|
| <p>A.) A "Preliminary Service Request" is required prior to all pole spots, & new service connections. All temporary poles are to be <u>installed by the customer or their contractor / electrician.</u></p> <p>B.) BVES will charge a \$75.00 fee for temporary service. BVES will furnish and install the meter, point of attachment, and up to 100' of service drop. Any service drop over 100' may incur additional charges i.e. Line Extensions, Work Orders.
(to be determined by BVES Engineering Dept.)</p> <p>C.) Permits and Inspections must be obtained from the following agencies, prior to electric service:
<u>City of Big Bear Lake</u>
39707 Big Bear Blvd
Big Bear Lake, CA 92315
(909) 866-5831
or: <u>County of San Bernardino</u>
477 Summit Blvd
Big Bear Lake, CA 92315
(909) 866-0170
It is the customer's responsibility to notify and supply BVES with an "Electric Service Release" before service can be connected.
For NEW CONSTRUCTION projects, a complete set of approved building plans, load schedule, and a copy of the building permit, must be submitted to BVES Engineering Dept. prior to final permanent power.
2 to 4 weeks are required for Engineering review any and all documents pertaining to new construction. More time may be required as determined by the complexity of the project.
The BVES Inspector reserves the right to deny service due to age of service, gear, wear, or any and all issues that may deem unsafe, and/or is not to the latest codes or standards.
Time frames for all new connections are contingent upon current work loads, weather, and/or emergencies etc..</p> | <p>D.) Minimum service cable clearance above ground:
At centerline of street.....18'
At curb / property line..... 16'
For any and all <u>Special Conditions</u>, Consult a BVES Engineering Representative.</p> <p>E.) All facilities shall be rain-tight, bonded, UL & EUSERC compliant. Wire must have suitable insulation, <u>Minimum #4Cu or #2 Al shall be used in 2" conduit for 100a Service.</u></p> <p>F.) The required installation <u>shall exceed the minimum</u> NEC requirements.</p> <p>G.) For any service larger than 100 amps, consult a BVES Engineering Representative.</p> <p>H.) Poles will be installed 10' to 100' from existing BVES facilities. with the service address posted and visible from the street. For any service drop over 100' contact a BVES Engineering Representative for bracing requirements.</p> <p>I.) <u>UG Minimum Trenching Requirements:</u>
<i>Always contact DigAlert 811 prior to any dig.</i></p> <p>A.) Minimum depth of no less than 18", and a 12" width to be provided by customer. (BVES to provide "Direct Bury" Temp Wire.)
No sweep or added conduit necessary.</p> <p>B.) Backfill not to contain any rocks more than 1/2" in diameter.</p> <p>J.) UG Poles will be installed 5' to 10' from existing BVES facilities, with the service address posted and visible from the street.</p> <p>K.) <u>If conduit riser is metal</u>, a PVC pipe must cover entire riser from the panel to the weatherhead, and be secured to the pole, along with a wood block mounted above the weatherhead.</p> <p>L.) Floodlights, signs (other than an address), ropes, communication lines, or any other similar equipment, shall not be attached to service or temporary poles.</p> |
|--|--|

BEAR VALLEY ELECTRIC SERVICE

DATE: 06-01-18	TITLE: TEMPORARY SERVICE SPECIFICATIONS		
PAGE 1 OF 2	DRWN: PF	02-0003	REV 3
	APVL: EC		

Bear Valley Electric Service

P.O. BOX 1547 42020 GARSTIN DR BIG BEAR LAKE, CA. 92315

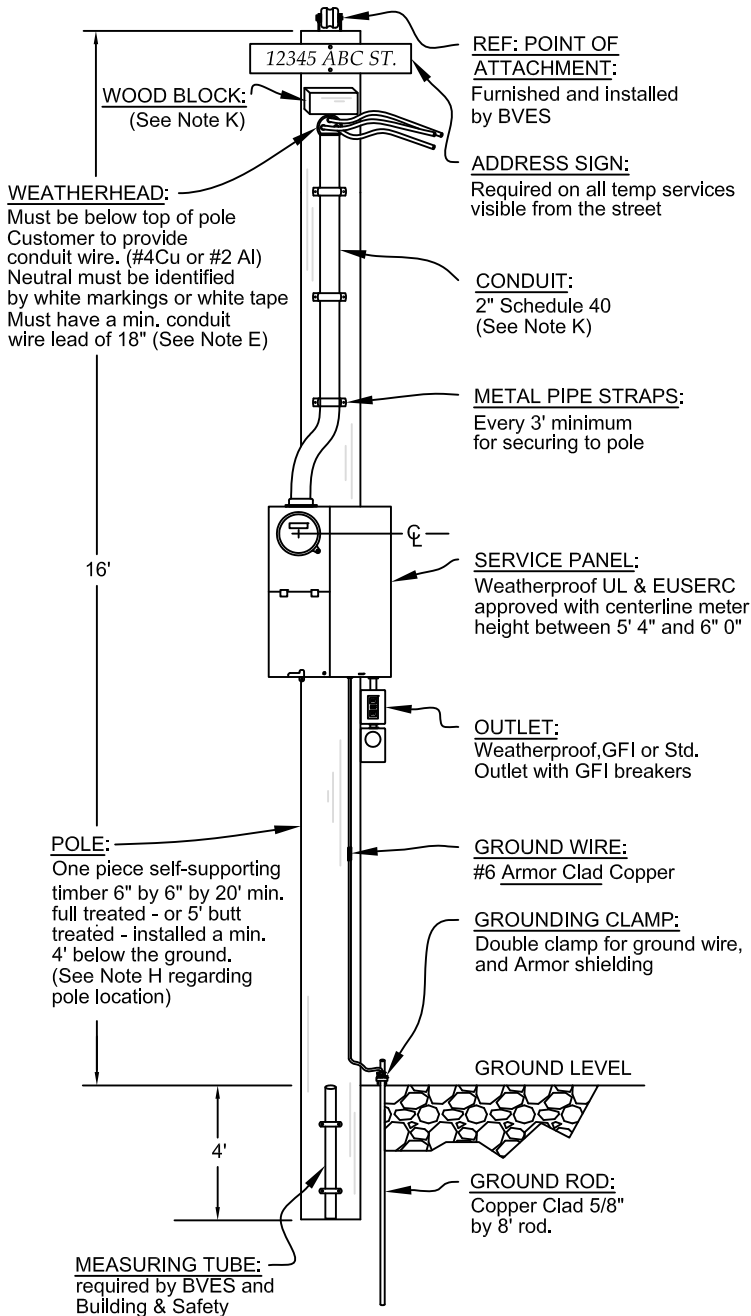
A Division of Golden State Water Company

Engineering and Trench Inspections: (909) 471-0308

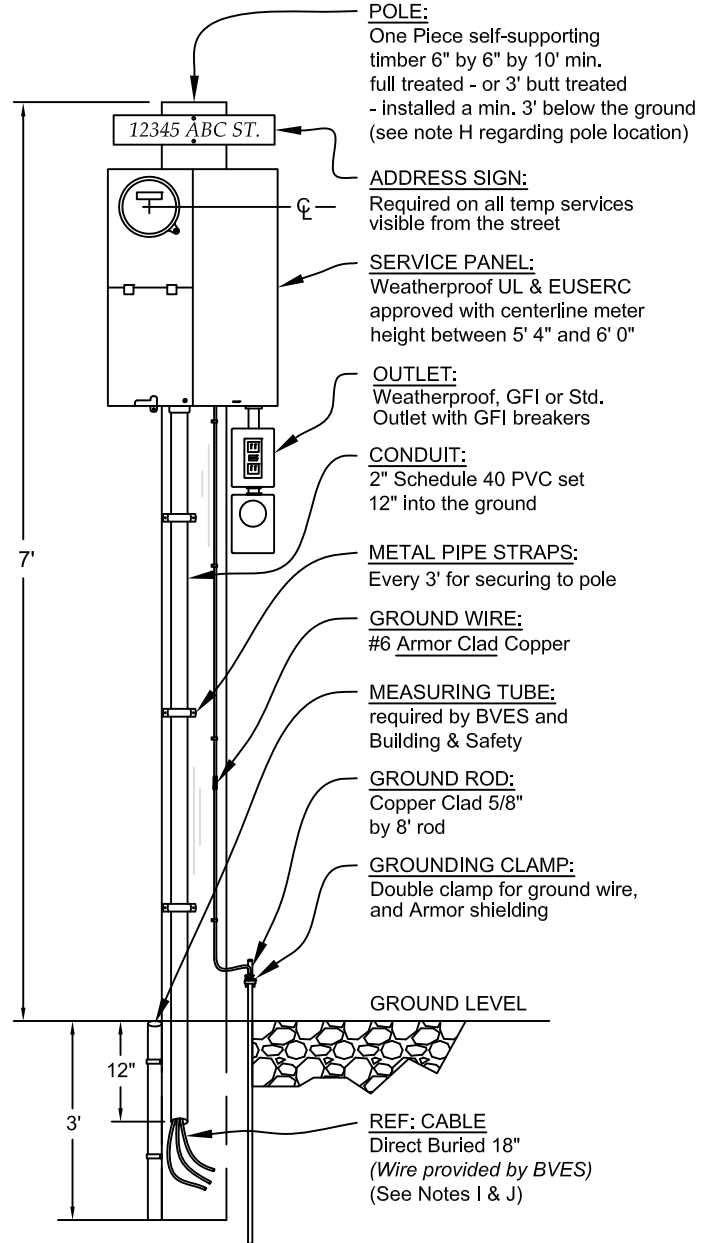
Service Disconnect / Reconnects Scheduling: (800) 808-2837

Website: www.bves.com

100 AMP TEMPORARY OVERHEAD SERVICE



100 AMP TEMPORARY UNDERGROUND SERVICE



NOT TO SCALE

BEAR VALLEY ELECTRIC SERVICE

TEMP SERVICE SPECIFICATIONS

DATE: 06-01-18

TITLE:

DRWN: PF

APVL: EC

DRAWING No.

02-0003

REV 3